

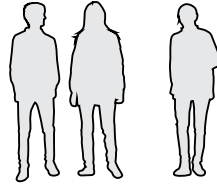
Silent-Silo™ Fully Assembled Set Up Instructions

Silent-Silo™ Fully Assembled (FA) requires three people and one hour to unpack and set up. (Silent-Silo weighs 550 pounds and due to its circular shape, may be difficult to manage so three people are recommended to safely raise it upright.)

Tools Needed

- Electric drill
- T-20 bit
- 9/16" wrench
- Pallet jack
- 6ft step ladder (if powering from top socket)

People + Time Needed



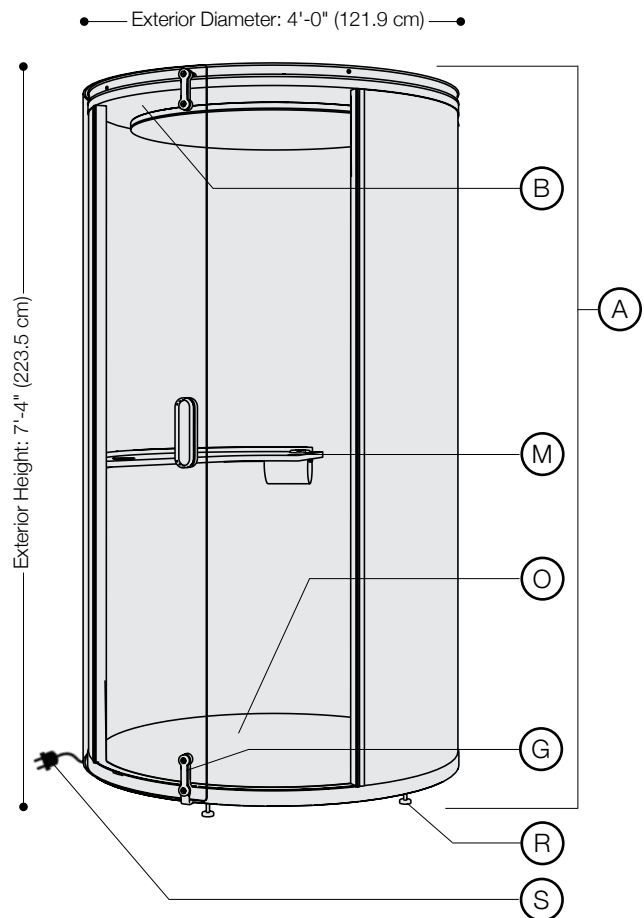
1 h

Components Provided

- A Silent-Silo
- R 5 x Leveling Feet
- S Power Cord

Unpacking + Leveling Instructions

- 1 Remove crate covers in this order: top, sides, ends.
- 2 Remove the top center 2x4s.
- 3 Remove the top horizontal 2x4.
- 4 Disassemble and remove the 2x2 framework and save for step 6.
- 5 Remove plastic covering.
- 6 Using the framework pieces removed from the crate, create a blocking crib on the floor that the Silent-Silo (A) will rest on when raised upright. Be sure there is enough space for a pallet jack to fit under the blocking crib.
- 7 Carefully raise the Silent-Silo (A) upright. **IMPORTANT:** Make sure the bottom Door Glides (G) do not land on the blocking crib. **ALSO:** The Silent-Silo is not attached to the top crate saddle so do not allow them to separate as the Silent-Silo is raised.
- 8 Roll a pallet jack underneath the Silent-Silo (A) and lift off the blocking crib. **IMPORTANT:** Make sure the pallet jack does not lift under the Door Glides (G) or interfere with the Leveling Feet (R).
- 9 Reach under Silent-Silo (A) with 9/16" wrench and remove the three nuts.
- 10 Pull the Carpet (O) up to reveal three bolts and remove them. Be careful not to knock the T-nuts out of their holes.
- 11 Carefully slide the crate assembly away from the Silent-Silo (A).
- 12 Screw the Leveling Feet (R) into the pre-drilled holes of under the Silent-Silo (A), making sure that the lock nuts are screwed in completely.
- 13 Move the Silent-Silo into position and lower to the floor. Adjust the Leveling Feet (R) accordingly.



Set Up Instructions

- 1 If power is being fed from bottom, insert the Power Cord (S) into the socket at the back of Silent-Silo. If power is being fed from the top, plug the Power Cord into the top socket. **IMPORTANT:** Make sure that the Power Cord is pushed all the way into the socket.
- 2 Plug the Power Cord (S) into a power source. **IMPORTANT:** Make sure that the Power Cord is plugged into a grounded outlet.
- 3 There is a Light + Fan Sensor (B) located in the ceiling above the Worksurface (M). It may be necessary to push the ON/OFF button repetitively to wake the system up. The sensor is set up to stay on for five minutes after no motion is detected.
Refer to the manufacturer's operation manual to make changes to or troubleshoot the Light + Fan Sensor.

Download
Operation Manual



Cleaning Instructions

Silent-Silo features a number of natural materials which have inherent durability and naturally repel soiling so require little overall maintenance. A minimal approach should generally be taken since the cleaning method could potentially do more damage than the stain and vacuuming is always the first step of maintenance and cleaning. Below are specific cleaning instructions for each material.

Dukta Flexible Wood

General Cleaning: Wipe with a dry, lint free cloth. Wash once a year with a mild soap (such as Dawn) and water solution, rinse with damp cloth, and dry immediately with a clean cotton cloth or towel.

Deep Cleaning: Wipe with water, white vinegar, and soap solution. Dry immediately with a clean cotton cloth or towel.

100% Wool Design Felt

General Cleaning: Vacuum occasionally to remove general airborne debris. Spot clean with a mild enzyme-based detergent (such as Tide Free) and water solution. Avoid aggressive rubbing as this can continue the felting process and change the surface appearance of the felt.

Worksurface

General Cleaning: Wipe surface with cloth dampened with non-wax containing polish or mild detergent solution.

Acrylic Door

General Cleaning: Using a microfiber cloth, wipe with a mild soap (such as Dawn) and water solution (1 teaspoon detergent to 1 quart lukewarm water).

Deep Cleaning + Polishing: Scratches may be polished with Novus No. 1 Plastic Clean and Shine. Reapply regularly to maintain the anti-static, smudge, and scratch-resistant properties.

Anodized Aluminum Door Pull + Accents

General Cleaning: Wipe with a mild soap (such as Dawn) and water solution (1 teaspoon soap to 1 quart lukewarm water). Apply the soapy water to an abrasive sponge and scrub the aluminum vigorously. Anodized aluminum requires an abrasive touch with a gentle cleaning solution, as many harsh cleaning products such as bleach will react with the aluminum.

Acqua Leather Door Pull Insert

General Cleaning: Wipe with a cool, damp cloth. For tougher soiling, use a pH balanced soap (such as Dawn) on cloth and rinse. *Though Acqua may be cleaned with harsh cleaning products such as bleach, do not use on the leather pull insert as damage may be done to the anodized aluminum pull.*

Carpet

General Cleaning: Vacuum with brush roller frequently and thoroughly.

Deep Cleaning: Spot clean by blotting fresh spots with plain, white absorbent towel. If the spot has dried, blot it with a towel that has been dampened with plain water or a general-purpose spotter.

Support

For product, assembly, or maintenance support and questions, please email info@spinneybeck.com or call 800.482.7777.