

Muro Installation Instructions

Z-Clip Attachment

These installation recommendations consist of common-sense practices for installing wall panels and similar products with Z-Clips. Installers should rely upon their own professional experience and understanding of their unique requirements to be the best guide to a successful installation.

Tools Needed

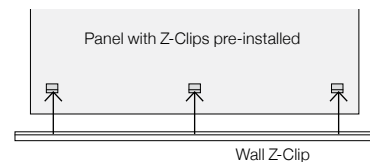
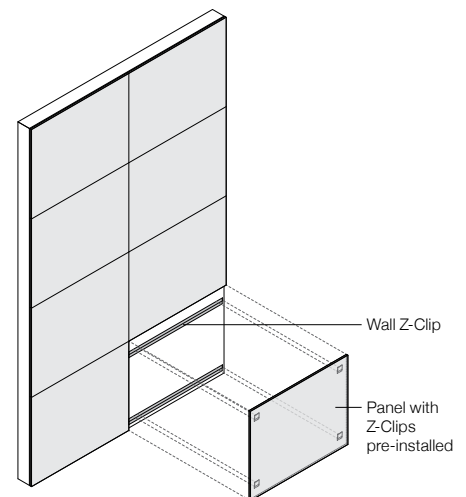
Bar level or laser level
Carpenter's square
Chalk line
Drill
Miter saw with carbide fine tooth blade
Tape measure
Wall screws appropriate for wall type

Components Provided

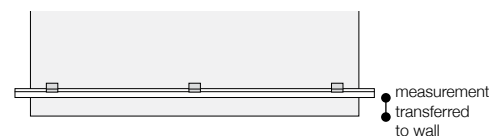
Panels with Z-Clips pre-installed (as ordered)
Wall Z-Clips in 6'-0" (1.8 m) lengths (must be cut to size)
Panel Map

Installation Instructions

- 1 Handle the Panels keeping the leather faces together and the substrate faces together to reduce the possibility of damage during installation.
- 2 Inspect the product. Subtle color and texture variations even within the same Panel are a normal aspect of this product. It is advisable to inspect for these irregularities and plan the layout accordingly making sure to evenly disperse any minor color variation. In the case of product defect or damage in transit, Spinneybeck must be notified within five (5) business days. Spinneybeck cannot accept a return or warranty claim on any material that has been installed.
- 3 Allow components to acclimate to the installation environment. After the shipping crates have been opened, the Panels should be laid out individually on the floor for at least forty-eight (48) hours.
- 4 While the Panels are becoming acclimatized, clean the work surface. It should be smooth, dry, and dust-free to allow the best possible installation. A Level 4 Finish wall preparation is sufficient.
- 5 Wall Z-Clips are provided in 6'-0" (1.8 m) sections. Cut Wall Z-Clips with miter saw with carbide fine tooth blade to length as needed to fit the installation width. **IMPORTANT:** All pieces of Z-Clips may be used to complete the installation. DO NOT discard cut pieces of Z-Clips until after the installation is complete.
- 6 The Z-Clip hanging method is much like hanging a picture on the wall. The clips allow the Panels to be easily lifted off or set on the wall. **IMPORTANT:** A clearance of 1" (2.5 cm) from the top of Panels to the ceiling is required to lift and lock Z-Clips.
- 7 Refer to Panel Map to use as a guide for Panel placement. Plan out the pattern before installing the Panels and make any adjustments to ensure any minor color variation is dispersed throughout the wall.
- 8 Start installation at the bottom left of the wall. Select the first Panel to be installed and place it on a clean surface with the back side facing up. Determine the location of Wall Z-Clips by placing a Wall Z-Clip into the Panel Z-Clip (**8a**). Measure from the base of the Panel to the bottom edge of the Wall Z-Clip (**8b**). Transfer this measurement to the wall, measuring from the finished floor or overall level line.
- 9 Set laser level or snap chalk lines on the wall at measured heights and ensure they are level.

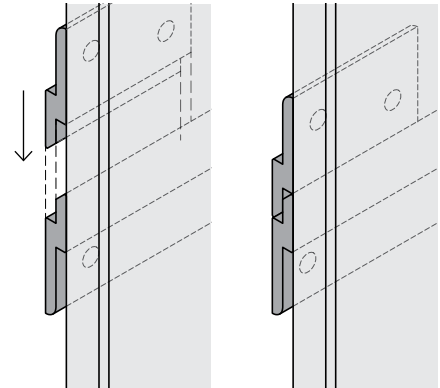


8a



8b

- 10 Attach Wall Z-Clips with appropriate wall screws (not included) to the wall with the bottom aligned to laser level or chalk lines. **IMPORTANT:** It is recommended to screw into studs, blocking, or use appropriate anchors.
- 11 Place panel on wall at least 3/4" (1.9 cm) higher than desired height and press firmly against wall. Slide panel down to engage Z-Clips. Check to be sure all Z-Clips are engaged. If Panels are not sliding easily along Wall Z-Clips during installation, loosen by backing the screw off half a rotation.
- 12 Move across the row following the above procedure, making sure that the Panels are butted firmly against one another. Continue checking level throughout installation. Repeat moving up the wall until installation is complete.



11 Slide Panel down to engage Wall and Panel Z-Clips

Cleaning Instructions

Full grain, aniline leather requires little care. Do not use harsh cleaners or substances such as wax or mink oils, saddle soap, or leather polishes. A periodic wipe with a damp cloth is a sufficient means of cleaning under normal conditions.

For complete instructions, refer to the Product Maintenance + Cleaning Guide at spinneybeck.com/cleaning-guide. Spinneybeck offers maintenance products specially formulated to care for our leathers at spinneybeck.com/maintenance-products.