

# Twist Installation Instructions

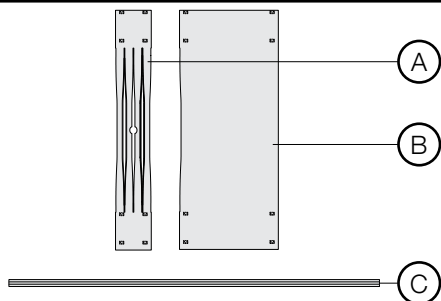
These installation recommendations consist of common-sense practices for installing millwork and similar products. Installers should rely upon their own professional experience and understanding of their unique requirements to be the best guide to a successful installation.

## Tools Needed

Bar level or laser level  
Chalk line  
Circular saw and finish blade (for trimming or cut-outs, if necessary)  
Drill  
Tape Measure  
Wall screw appropriate for wall type (not included)

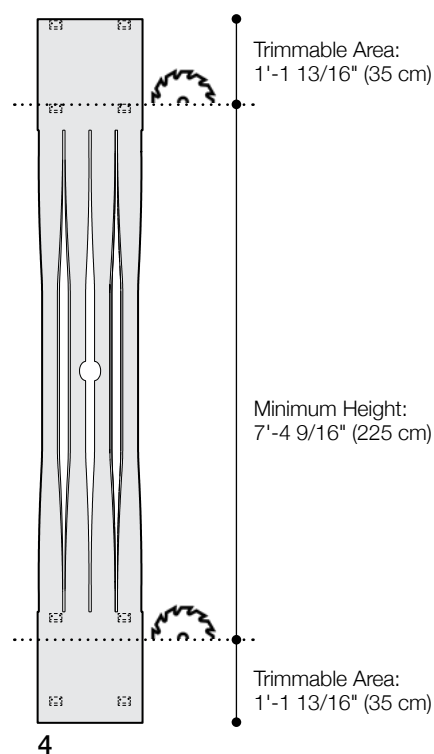
## Components Provided

- A Panel(s) with Z-Clips pre-installed
- B Extension Panel(s) (as ordered)
- C Mounting Rails with Z-Clips preinstalled (wall screws not included)

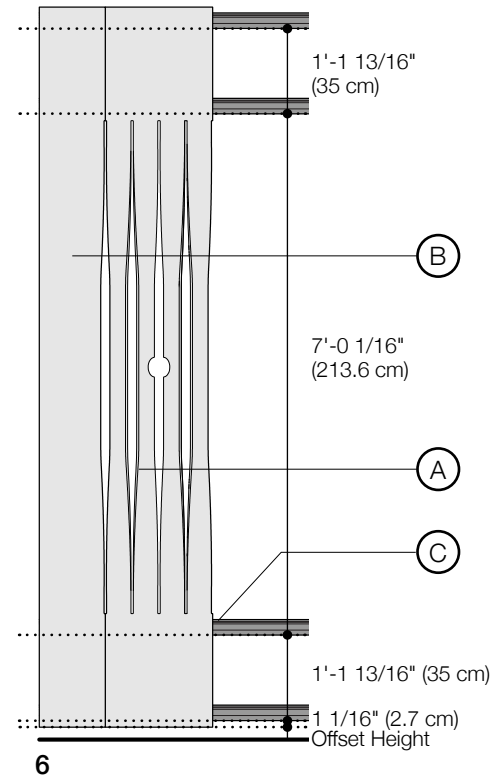


## Installation Instructions

- 1 Handle the panels individually and with clean hands to reduce the possibility of damage during installation.
- 2 Inspect the panels. Wood veneer is a natural material and color and texture variations even within the same panel are a normal aspect of this product. It is advisable to inspect for these irregularities and plan the layout accordingly, making sure to disperse any minor color and grain variation evenly. In the case of product defect or damage in transit, Spinneybeck must be notified within five (5) business days. Spinneybeck cannot accept a return or warranty claim on any material that has been installed.
- 3 Clean the installation surface. It should be smooth, dry, and dust free to allow the best possible installation. A Level 5 Finish wall preparation is required as the wall behind will be visible through the panels.
- 4 Twist Panels (A) may be trimmed in length within the flat portions of the panels up to a minimum length of 7'-4 9/16" (225 cm). The trimmable areas shown may be cut off using traditional wood cutting tools, such as a circular saw and a finish blade, taking care not to scratch the finish. Be sure to leave two (2) Z-Clips on the top of the panel and two (2) Z-Clips on the bottom of the panel in order to hang the panel properly.
- 5 Cut-outs may also be cut from the trimmable areas of using the same cutting tools or cut in any Extension Panels (B) as ordered.
- 6 The Z-Clip hanging method is much like hanging a picture on the wall. The clips allow the panels to be easily lifted off or set on the wall. **IMPORTANT:** A clearance of 1" (2.5 cm) from the top of panels to the ceiling is required to lift and lock Z-Clips.
- 7 Determine vertical location of the Mounting Rails with Z-Clips (C) by first determining the offset from the floor required for your installation as specified. Spinneybeck recommends a minimum distance of 1/2–2" (1.3–5 cm) from the floor. Mark this offset height.



- 8 From the offset height measure up 1 1/16" (2.7 cm). This is the location of the bottom of the first Mounting Rail (C). Measure 1'-1 13/16" (35 cm) to locate the bottom of the second Mounting Rail (C). Measure 7'-0 1/16" (213.6 cm) to locate the bottom of the third Mounting Rail (C). Measure 1'-1 13/16" (35 cm) up and mark the location of the fourth Mounting Rail (C).
- 9 Set laser level or snap chalk lines on wall at measured heights and ensure they are level.
- 10 Secure Mounting Rails (C) to wall with appropriate wall screws (not included) in pre-drilled holes. Align to laser level or chalk lines. **IMPORTANT:** It is recommended to screw into studs, blocking, or use appropriate anchors.
- 11 Place the first panel at least 3/4" (1.9 cm) above the Z-Clips on a Mounting Rail and slide panel down to engage Z-Clips. Check to be sure all Z-Clips are engaged.
- 12 Extension Panels (B) are custom width flat panels used to extend the pattern as needed finish a wall-to-wall installation. Extension Panels (B) are preinstalled with Z-Clips and are installed using the method described in step 10.
- 13 Continue to install panels across the row. Repeat step 10 moving across the wall until row is complete. Panels should be slid together to be flush and seams tight between panels.
- 14 Should more than one (1) row be needed, follow steps 10–12 until installation is complete.



## Cleaning Instructions

Use a very mild non-abrasive, non-ammonia and non-alcohol containing soap diluted in a room temperature water solution. Apply with a soft flannel cloth, followed by a dry cloth. Always wipe in the direction of the grain. Never use commercial cleaners, abrasives, solvents or glass cleaner on any wood components as it will wear away the finish. Never apply wax as this will interact with the finish.

For complete instructions, refer to the Product Maintenance + Cleaning Guide at [spinneybeck.com/cleaning-guide](http://spinneybeck.com/cleaning-guide).